

OS2 SHEVTEC Controller

Technical Information & Operating Instructions



Introduction

The SE Controls SHEVTEC range of control systems include a built, tested and EN12101-10 certified control panel designed for smoke and/or natural ventilation systems and for use with SE Controls supplied equipment. They must not be used for any other application or in conjunction with other manufacturers' products without prior consultation with SE Controls.

Installation of this equipment must only be carried out by competent and qualified persons.

The Installer and end user are requested to read, understand, and retain this document with the panel for future reference.

This information pack must be retained for future reference by the client and be made available for reference by persons installing, servicing, or modifying the panel.

Application

The OS2 SHEVTEC Controller is an intelligent 24 V dc control system designed to drive 2-wire 24V dc actuators in a smoke control and/or natural ventilation system.

Operating from a 230V ac 5A supply, The OS2 SHEVTEC Controller can deliver up to 8A to drive 24V motorised actuators and magnetic catches. Battery backup is provided for continued operation after mains supply interruption.

OS2 SHEVTEC Controller can be mounted locally to the devices to be operated or in a centralised plant room location.

Each SHEVTEC Controller can operate independently or can be linked to others to produce a networked control system. The networked control system in turn can operate standalone or be linked to a building management system.

Contents

1. General Information

1.1.	General Safety Information	4
1.2.	Health and Safety	4
1.3.	Environment	4
1.4.	User Responsibilities	4
1.5.	Maintenance	5
1.6.	Installation and Connection	5
1.7.	Fault Finding	5
1.8.	Contact Information	5
1.9.	Certification	5

2. Specification

2.1.	Device Overview	6
2.2.	Control Board Buttons	6
2.3.	Internal Control Board Indicators	7
2.4.	External Indication	7
2.5.	Volt Free Relay Indication	8
2.6.	Fuse Chart	8
2.7.	Recommended Cable Types	9
2.8.	Hierarchy of Functions	9

3. Connections

3.1.	Connections	10
3.2.	Actuators connections	111
3.3.	Manual Control Points	11-12
3.4.	Fire Alarm Signals (FOA, FRA, ARA, SMK)	13
3.5.	Smoke Detectors (SMK)	14-15
3.6.	Maintenance Input (MNT)	15
3.7.	Day to Day Switch (DYO, DYC)	15
3.8.	Auto/Manual Switch (AUT)	16
3.9.	Thermostat (TST)	16
3.10.	0-10V Analogue Input (AI1, AI2)	17
3.11.	Analogue Output (AOC)	17
3.12.	Rain Sensor (RNS)	17
3.13.	Master/Slave (SBL, SBR)	18
3.14.	Network Connection (NTA, NTB, SCR)	18

4. System Design

4.1.	System Design	19
4.2.	Design checklist for each OS2	19
4.3.	Design checklist for each MCP	20
4.4.	Design checklist for each actuator/vent	20

5. Installation, Commissioning and Fault-Finding

5.1.	Pre-Installation	21
5.2.	Fixing	21
5.3.	Low voltage connections	22
5.4.	Mains Connection	22
5.5.	Battery installation	22
5.6.	First power-up tests	23
5.7.	Basic Fault-Finding	23-24
5.8.	Battery Replacement	25

Important Notices

- The equipment has no mains on/off switch and is intended for permanent connection only.
- Do NOT allow abuse or mishandling of the device.
- Do NOT adjust or alter the device or its enclosure including labelling/markings.
- Do NOT use this controller for any other purpose other than that intended by the manufacturer.
- Do NOT allow installation of this equipment by persons not electrically qualified.
- Damage to the equipment due to failure to test the electrical integrity of external wiring will invalidate any warranties.
- Failure to install the device in accordance with the manufacturer's instructions will invalidate any warranties.
- Failure to follow current electrical regulations governing the installation of fixed equipment can lead to prosecution and may invalidate any warranties.
- Unless otherwise indicated, you must not adjust or remove existing manufacturers cabling or use terminal outputs or inputs for purposes other than their design without written authorization from SE Controls.
- Consumable items e.g. fuses & batteries where replacement is needed must be replaced with parts of equivalent manufacturing standard/compliance and rating.

SE Controls accepts no liability for failure to comply with these statements or the installation and operation guidance in the following sections of this guide and reserves the right to invalidate the warranty of the controller

SE Controls reserves the right to introduce any modifications and improvements to the contents of this publication without the obligation of giving prior notice.

1. General Information

1.1. General Safety Information



Read and observe the information contained in these instructions.

Please keep these safety instructions for future reference and maintenance. Reliable operation and the prevention of damage and risks are only granted if the equipment is assembled carefully and the settings are carried out according to these instructions and to the operating instructions of the drives.

Please observe the exact terminal assignment, the minimum and maximum power ratings (see technical data) and the installation instructions.

1.2. Health and Safety



Electrical Safety: Warning 230V ac mains supply can cause death, serious injury or considerable material damage. Disconnect the equipment from the power supply at all poles before opening, assembling or carrying out any work.

Electrical safety of batteries: Short circuiting of the lead acid batteries can cause high currents to flow which can cause rapid heating and a fire risk. Take care to avoid this when transporting and handling batteries. Keep batteries disconnected during installation and modification of the installation.

Competence: This equipment is designed for professional installation only by qualified, trained and safety conscious electricians or skilled and trained staff with considerable knowledge of electrical equipment installation. These instructions must be followed and retained for future reference.

Application: This equipment is designed exclusively for the purposes of controlling automatically opening smoke and environmental ventilation equipment.



Personal Protective Equipment: It is recommended that suitable PPE is worn at all times during the installation and connection of actuator products in accordance with a recommended safe system of work.



Handling and storage: This equipment is heavy. Care must be taken in transportation to the installation location and during fitting. The equipment must not be dropped, impacted, allowed to get wet or abused in any other way. Mishandling can result in serious damage to the housing and the components therein.



Risk of crushing: this equipment can automatically close windows and other appliances without warning. Beware risk of serious injury from crushing of hands or fingers.

1.3. Environment



This equipment is fitted with a pair of lead acid batteries which contain a corrosive gel. These batteries must be regularly inspected for damage and condition. Lead acid batteries are classified as hazardous waste and must be disposed of by an authorised and licensed recycler. They must not be disposed of in household waste or 'general waste' skips.



Redundant electronic products are classified as hazardous waste under the WEEE regulations (Waste Electrical and Electronic Equipment). Electronic parts must be disposed of by an authorised and licensed recycler. They must not be disposed of in household waste or 'general waste' skips.

If recycling facilities are not locally available, contact SE Controls who can arrange for recycling and disposal of old electronic products.

1.4. User Responsibilities

United Kingdom Only: Frequent inspection of the system should be undertaken by a named suitably trained member of the premises management team.

For countries outside the United Kingdom: An environmental control system should only be maintain by a competent person with specialist knowledge of environmental systems and sufficient information with regards the system.

1.5. Maintenance



An smoke control system should be checked and serviced periodically in accordance to local smoke control legislation.

Smoke control systems have to be serviced and checked for defects at least once per year by an authorised, trained and competent person.

Within the UK a suitable service contract with SE Controls is recommended for this purpose, (see section 1.8 for contact information).

All batteries need to be checked to see if they are within specification and in good condition at least once a year and replaced at least every THREE YEARS (please observe the battery commissioning label).



Ensure that supply voltage and batteries are disconnected before any maintenance work or mechanical/ electrical alterations are made.

The system must be protected against unintentional start-up!

After maintenance, modification or repair the system must be functionally retested.

Compatibility; this equipment should only be used to operate with motors and other products approved by SE Controls. No liability will be accepted and neither guarantee nor service is provided if unapproved products are used in conjunction with this equipment.

1.6. Installation and Connection



Installation should be carried out by an authorised, trained and competent electrician.

Ensure correct cable type is used throughout the installation. All low voltage cables are to be routed separately from mains voltage cables and other electrically noisy cables. Flexible cables must not be plastered over and freely suspended cables must be provided with strain relief. Cables must be installed in such a way that they cannot be sheared, twisted, pierced or otherwise damaged during installation or use. Junction boxes should be accessible for inspection and maintenance.

Do not attempt to install or alter the installation of the panel whilst connected to the power supply.

1.7. Fault Finding



In the unlikely event that a problem occurs with the control panel, users are urged to contact SE Controls for assistance.

If the system operates from mains power but when mains power is removed will not operate from batteries, it is possible that the batteries will require replacement.

There are no user repairable parts. Fault rectification must only be carried out by authorised and competent persons.

1.8. Contact Information

For sales, technical support and maintenance please contact:

SE Controls
Lancaster House
Wellington Crescent
Fradley Park
Lichfield
Staffordshire
WS13 8RZ

Tel: 01543 443060

Fax: 01543 443070

Website: www.secontrols.com

1.9. Certification



SE Controls hereby certify that the parts and services detailed hereon have been manufactured, inspected, tested and supplied in accordance with the conditions and requirements of the procedures as documented in the Company Quality Assurance System to ensure conformance with SE Controls' specifications, and with the contract or order conditions of our BS EN ISO9001:2008 registration.



Our equipment is built and tested in accordance with the requirements of EN 12101-10:2005/AC:2007. Certification may be provided on request.

2. Specification

2.1. Device Overview

Part Number	FCS12250000
Dimensions	364.5 x 337.8 x 128.4mm (W x D x H)
Mass Approx.	Without batteries - 8.5kg / With batteries - 13kg
Supply	230V ac 50/60Hz. (±10%) from a 5A unswitched spur
Power Consumption	Max. 350VA
Typical Output Voltage (mains power, no load)	Nominal 28.3V Max. 31.4V at 230V ac Min. 25.6V at 207VAV
Typical Output Voltage (mains powered, max load 4.0A)	Nominal 22.0V Max. 23.6V at 230V ac Min. 18.4V at 207VAV
*Maximum Current (mains and batteries)	Output nominal 24 Vdc 2-Channels, max 8A for 60 seconds. Peak current combined output can exceed 8A for a short duration Max 500mA on AUX Max 40mA on PER
Battery Backup	2 x 12V dc 7.0Ah sealed lead-acid (backup battery included)
Expected Battery Life	3 Years @ 25°C
Real Time Clock Battery Life	10 Years
Cable Entries	Cable entries are via up to 15 off 20mm and mounted cable glands and/or one rear entry slot for concealed connection
IP Rating	IP30
Humidity Range	10 to 90% Non-condensing
Storage	-20°C to +50°C
Operating Temperature	-5 °C to +40 °C
Battery Standby Time	72 Hours with maximum 40mA standby drain on PER permanent*

*Combined total including load on PER, AUX and Actuators

2.2. Control Board Buttons

Button	Detail
SERV	Not used unless OSLon communication board is installed - Light LD2 when pressed
BPD	When pressed, powers down the unit if running on batteries
BPUP	When pressed, powers up the unit if fully charged batteries connected and no mains supply is available (useful for commissioning tests).

2.3. Internal Control Board Indicators

LED	Colour	Detail
LD1 POW	Green	Lit when mains supply is connected .
LD2 WINK	Red	Reserved communication cards use - Illuminated when SERV Pressed
LD3 HEALTHY	Green	Healthy Lamp - Lit when controller has no faults.
LD4 ACTIVATED	Red	Lit when the controller is activated by a fire input or via the Fireman's switch Open signal. Does not respond to NV demands.
LD5 MAINTENANCE	Yellow	Lit when maintenance input is active.
LD6 WDG	Yellow	Watchdog - Flashes at 1Hz to indicate embedded firmware is loaded and running.
LD7 PSU	Green	On when battery and power supply ok. Flashes Alternately with LD6 if mains supply failure detected. Flashes in tandem with LD6 if battery failure detected. Flicks off for half a second every 10 seconds to indicate bulk battery charging stage.
LD8 BAT	Red	Lit when controller is powered from the battery supply.
LD9	Green	Lit when actuator (1) is closing.
LD10	Red	Lit when actuator (1) is opening.
LD11	Green	Lit when actuator (2) is closing.
LD12	Red	Lit when actuator (2) is opening.

2.4. External Communication

Lamp	Connection	Detail
Maintenance Fault	MLP;PER	Lit when Maintenance mode is active.
Fire Condition	ALP;PER	Lit when the controller is activated by a fire input or via the Fireman's switch Open signal.
Standby	HLP;PER	Lit when healthy and mains supply is connected.

Note: The function of the LEDs reflects the maintenance, activity and healthy relays. The function of these relays can be modified by OS parameter changes.

2.5. Volt Free Realy Indication

Terminal	Description
ACM	Activated relay common
ANC	Activated relay normally closed (opens when activated)
ANO	Activated relay normally open (closes when activated)
HCM	Healthy relay common
HNC	Healthy relay normally closed (opens when healthy)
HNO	Healthy relay normally open(closes when healthy)
MCM	Maintenance relay common
MNC	Maintenance relay normally closed (opens when maintenance input activated)
MNO	Maintenance relay normally open (closes when maintenance input activated)

2.6. Fuse Chart

Fuse		Function	If Open Circuit
1	16 Amp	24V ac Input	LD1 and 3 go out; If batteries are healthy, LD7&8 flash alternately; LED's on MCP flash alternately; Standby (green) LED goes out; Healthy relay changes state. If sustained, the batteries will flatten, and all LEDs go out.
2	1 Amp	PER- Battery backed supply	Standby LED goes out; PER supply terminals off; If external alarm connected will set off.
3	500mA	AUX- Auxiliary supply	AUX supply terminals off.
4	16 Amp	Battery	LD7&8 flash in tandem; LD3 turns off; Standby LED goes out; Healthy relay changes state..
5	10 Amp	Actuator 1	When open circuit Actuator Zone 1 will not function.
6	10 Amp	Actuator 2	When open circuit Actuator Zone 2 will not function.
EMC Filter	3 Amp	mains voltage input	LD1 and 3 go out; If batteries are healthy, LD7&8 flash alternately; LEDs on MCP flash alternately; Standby (green) LED goes out; Healthy relay changes state. If sustained, the batteries will flatten, and all LEDs go out.

Note: If a fuse clears, check wiring / external devices for damage and incorrect termination / earth faults before replacement.

2.7. Recommended Cable Types

Cabling For	Minimum Number of Cores	Required Cable Type
Mains Supply Cable	2 Core + Earth x 2.5mm ²	FP Plus or equivalent
OS2 MCP	5 Core (2 Core + 3 Core) + Earth x 1.5mm ²	FP Plus or equivalent
24V dc Actuator	2 Core + Earth x 2.5mm ²	FP Plus or equivalent
OS2 Smoke Detector	3 Core + Earth x 1.5mm ²	FP Plus or equivalent
OSlink Network Cable	4 Core + Earth x 1.5mm ²	FP Plus or equivalent
SHEVTEC Repeater Panel	4 Core + Earth x 1.5mm ²	FP Plus or equivalent
Day to day Switch	3 Core + Earth x 1.5mm ²	Any Appropriate Cable Type
Rain Sensor	3 Core + Earth x 1.5mm ²	Any Appropriate Cable Type
Thermostat	2 Core + Earth x 2.5mm ²	Any Appropriate Cable Type
PIR Sensor	3 Core + Earth x 1.5mm ²	Any Appropriate Cable Type

All cabling should be in accordance with relevant standards and regulations for electrical installation such as BS7671.

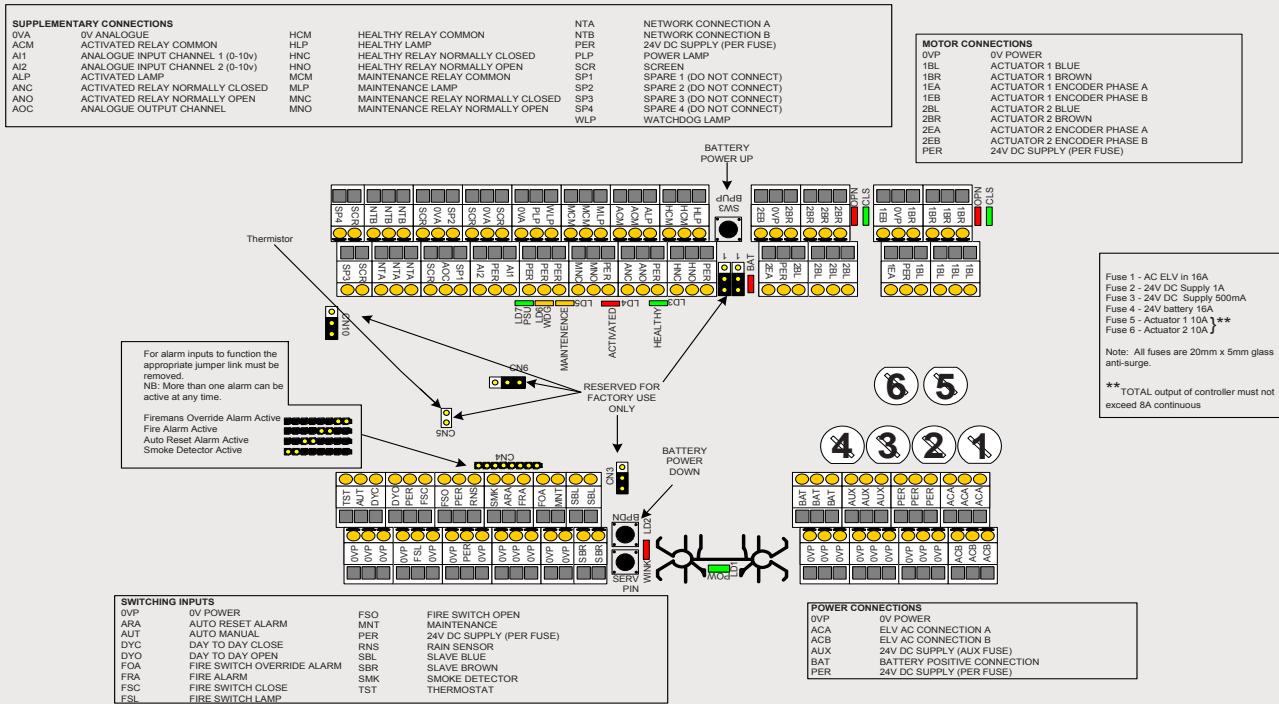
2.8. Hierarchy of Functions

In operation, the control inputs are organised in a strict hierarchical priority order.

1. Maintenance (highest priority)
2. Override alarm
3. Fireman's switch close demand
4. Fireman's switch open demand
5. Fire alarm
6. Auto Reset Fire Alarm
7. Smoke Detector
8. Slave (Follower) demand
9. Mains Failure

3. Connections

3.1. Connections



Note that the above terminal drawing appears on a silver label affixed to the inner face of the lid of OS2. This label must **NOT** be removed.

All terminals have a cable capacity of 2.5mm² stranded or 4mm² solid. Each terminal is identified with a 3-letter code which is expanded on the terminal label.

Do not interfere with fixing or location of the thermistor.

The following sections are to be used for guidance only and are subject to change.

All external switch contacts are to be volt-free and capable of carrying 24V dc at low currents. The maximum cable length for digital control input signals is 500M.

0-10 Volt signals must remain stable and 'spike' free for a period of 2 seconds before the controller will respond to them. In 10% step mode, the controller only responds to 0-10V signals in steps of whole volts ±250mV. In 5% step mode, each step is half a volt.

Natural ventilation accessories (e.g., rain sensors) should be powered from the AUX supply. Essential smoke accessories (e.g., smoke detectors) should be powered from the PER supply.

Strip the outer sheath of all cables back to the entry point of the enclosure. Ensure enough sheath is left to provide mechanical protection against cable movement over time.

Inner cable cores should be dressed under the edges of the power and control board. This provides a neater and more ordered solution. Only strip inner cores sufficiently to make a good electromechanical contact with the terminal blocks.

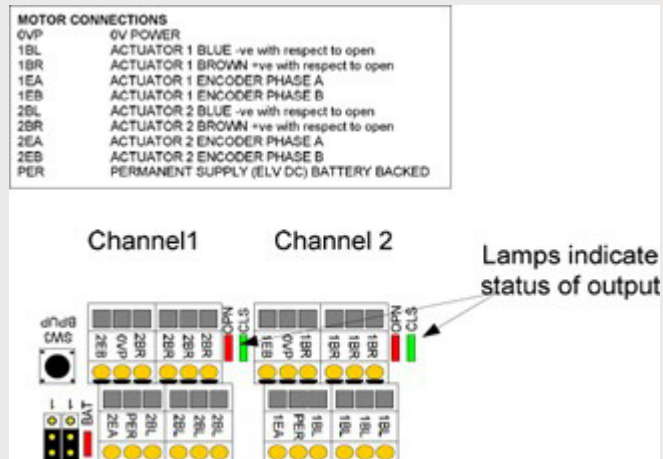
Where multiple actuator leads are to be connected to the controller, it is advisable to use an external junction box to reduce the number of cable glands required, if using screw-terminal joints ensure they are of the enclosed type.

The default controller settings have been chosen to cater for many applications. If alternate settings are required please contact SE Controls.

3.2. Actuator Connections

OS2 SHEVTEC Controller has two separately fused 24V dc actuator output channels. Each output channel has terminals for connecting up to 4 actuators.

The default mode of operation of these outputs is timed off, reversing polarity, and is intended for use with linear and chain actuators. Locking catches, magnetic catches and rotary dampers can be used but require changes to the default settings of the controller by SE Controls



Output mode - timed off, reversing polarity

Actuator Full Stroke Period (natural ventilation) - 18 seconds

Alarm Full Stroke Period (Smoke Vent) - 180 seconds

Over current response >8A for 2 seconds

3.3. Manual Control Points

These switches are used to manually open and close actuators in a smoke control system. There is a set lock-out period of 5 seconds between successive operations. The actuators open full stroke in response to a transitory operation of the Fireman Switch open demand. However, to prevent finger trapping issues, the actuators only close whilst the Fireman's Switch close demand is maintained.

Maintaining the Fireman's Switch close demand also holds the actuators in the closed state. Releasing the Fireman's Switch close demand allows natural ventilation operation to resume.

Note that SE Controls can change the default Fireman's Switch close mode to close full stroke in response to a brief press of the reset button. This mode change is only recommended where the activated vent is at least 2.4M above ground level to minimise finger trapping issues.

Tamper Proof Manual Control Points

OS2 Tamperproof MCP Module & Adaptor Plate	Part Number FCS00200081
OS2 Tamperproof MCP Module Assembly	Part Number FCS00200037
OS2 MCP Adaptor Plate	Part Number FCS00200017

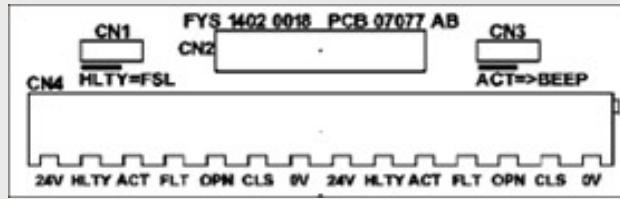
Standard Manual Control Points

OS2 Module & Adaptor Plate	Part Number FCS00200080
OS2 MCP Module Assembly	Part Number FCS00200016
OS2 MCP Adaptor Plate	Part Number FCS00200017

All connections to the OS2 MCP are made via the connection PCB mounted within the adapter plate assembly. (See diagram below.)

3.3. Manual Control Points, cont.

All connections to the OS2 MCP are made via the connection PCB mounted within the adapter plate assembly. (See diagram below.)



The connection PCB has 14 terminals, consisting of 2 pairs of 7 connections. For OS2 products, it is only necessary to connect to 5 of these signals as follows:

MCP Terminal	OS2 Terminal	Description
24V	PER	24V dc power supply rail from OS2 controller.
HLTY	FSL	Healthy indicator – Fireman’s switch lamp output from OS2 controller.
ACT	-	No connection required/made for OS2 systems.
FLT	-	No connection required/made for OS2 systems.
OPN	FSO	Open demand – Fireman’s switch open demand.
CLS	FSC	Close demand – Fireman’s switch close demand.
0V	0VP	0V power supply rail from OS2 controller.

Note that each pair of connections are interconnected within the PCB assembly. The second set of terminals may be used to daisy-chain multiple MCPs to one OS2.

The jumper CN1 must be fitted in the left hand (“HLTY=FSL”) position.

The jumper CN3 enables and disables the sounder. The default position is disabled (right)

The OS2 must have both battery and mains power removed before installing the MCP to the adapter plate.

The MCP must be secured using the two fixing screws (Torx-T8) on the underside of the MCP module.

Important; for instructions on installation and operation of the MCP refer to the user guide accompanying the device or contact SE Controls.

3.5. Smoke Detectors (SMK)

Smoke detector heads are required to provide a normally closed volt-free contact. Smoke detectors should be powered from the PER supply rail. The recommended maximum number of Smoke detectors is 5 connected to a single OS2 SHEVTEC controller.

It is important that the quiescent current of the smoke detectors is kept to a minimum as their current draw will greatly impact on standby times. The peak current draw on the PER permanent supply should never exceed 1Amp.

Smoke Detector Base Part Number ADA45681245
Smoke Detector Head Part Number ADA55000318

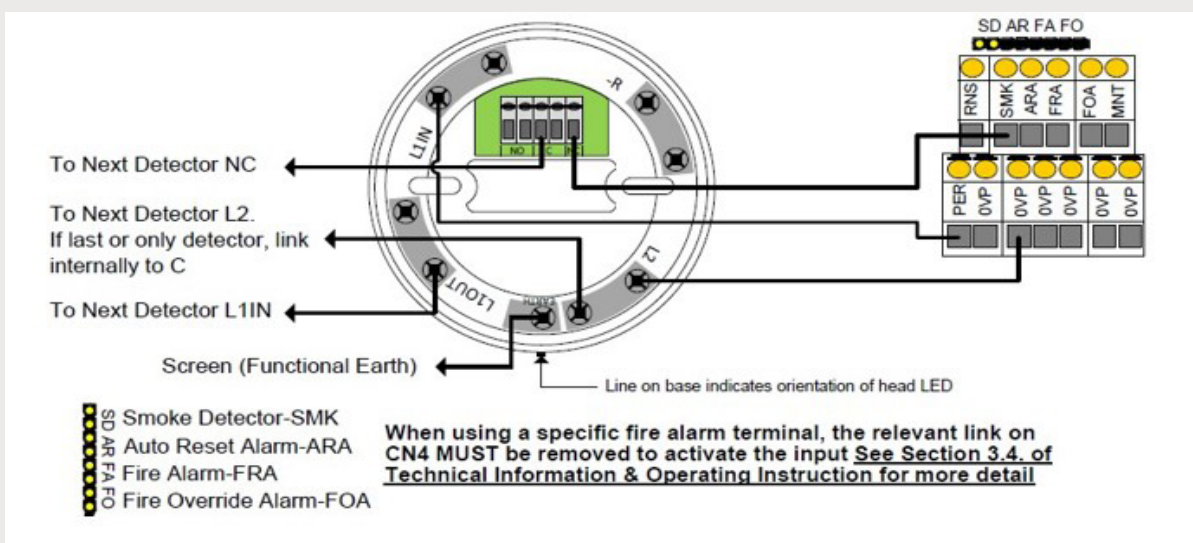
This smoke detector is an exclusive S E Controls product and has been specifically designed to operate as part of SE Controls SHEVTEC systems. It has been marked as such to aid in identification for servicing and replacement.

Other models / types are not suitable products for use in SHEVS and are not compatible.

The new detector is a 2-part assembly comprising a head and a base which clip together. To prevent interference by unauthorized persons the base incorporates a locking mechanism which then prevents disassembly without a tool.

The detector head has an LED indicator to provide status information. Distinctive markings on the head set it apart from other standard types of detector, and each unit is supplied with a clip-on dust cover which should be removed at commissioning stage.

Important Notes:



3.5. Smoke Detectors (SMK), cont.

Test using canned Smoke or other approved smoke generating method. No other method is acceptable.

Removal of the head **DOES NOT** cause activation of the system. Once installation is complete, **ensure lock is engaged to prevent unauthorised removal of the detector head, (see connection diagram).**

The current model is **NOT** suitable for use with OS" SHEVTEC Controller Auto Reset Fire Alarms. Please seek further advice from SE Controls if this facility is required.

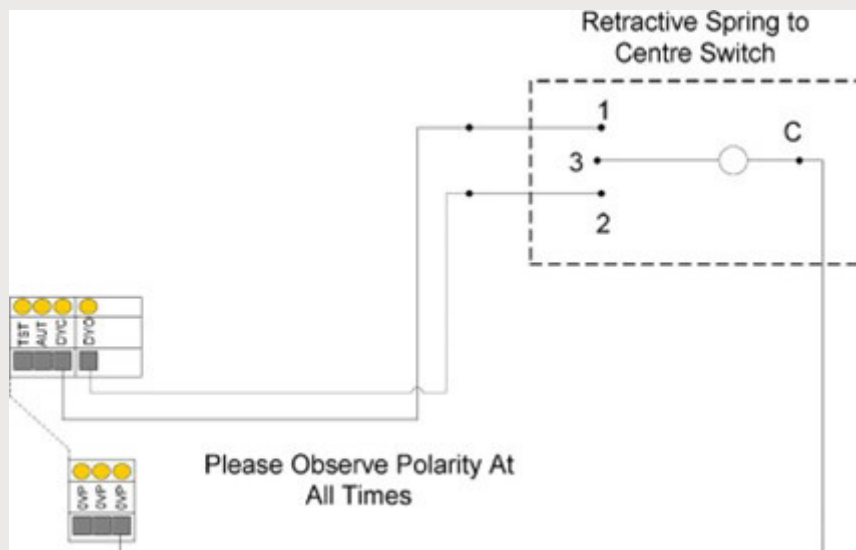
3.6. Maintenance Input (MNT)

The default operation of the maintenance input has changed to assist in the prevention of finger trapping. When the actuator is closing and the maintenance input is activated, the controller immediately suspends the movement. The movement will only continue when the input signal is removed AND internal 5 seconds time has timed out. Typically, this input would be connected to PIR sensors located near to the vent to be protected.

3.7. Day to Day Switch (DYO, DYC)

Connecting terminals DYO and DYC to OVP will open and close the vent in natural ventilation mode. The default mode requires a spring centre 3 position switch having 2 normally open contacts. The actuator will only move whilst the input demand is in force and the total movement time in the requested direction is less than 18 seconds (default). Releasing the switch will stop the movement.

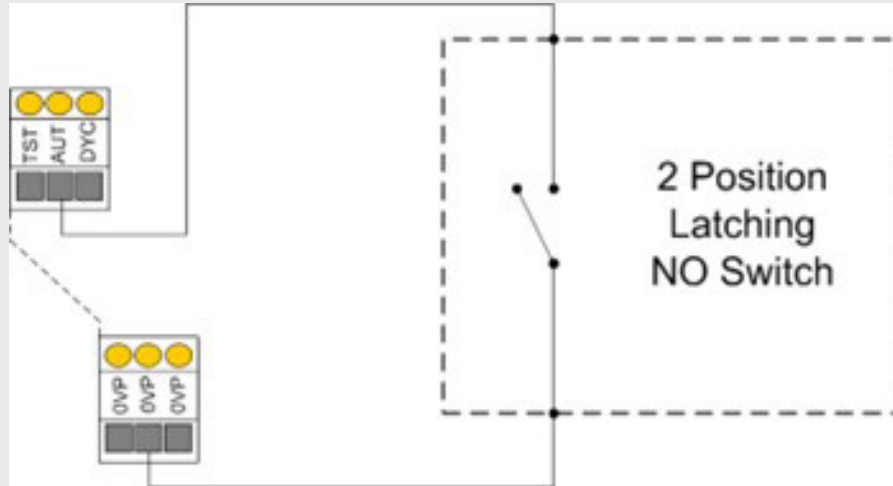
The day-to-day inputs only operate whilst the controller is in manual operational mode.



3.8. Auto/Manual Switch (AUT)

An auto/manual changeover switch can be fitted to change between automatic and manual control of the OS2 SHEVTEC Controller.

The controller will respond to all natural ventilation controls when in manual mode, but only the automatic controls when in automatic mode. Operation of the day-to-day input automatically locks out the automatic controls (thermostat and 0-10V BMS input) for a period of 1 hour following each demand. This lock-out can be released by switching to automatic mode.

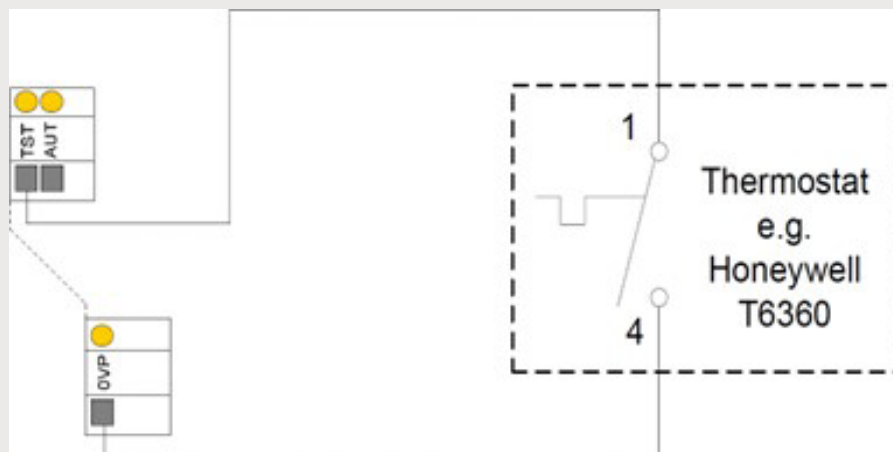


3.9. Thermostat(TST)

A simple volt free room thermostat can be used to operate the OS2 SHEVTEC Controller. The output contact is required to close when a demand to open a vent is required.

When the demand is received, power is applied to the actuator outputs for 18 seconds in the open direction.

Both movements are subject to a 180 second lockout period which prevents frequent unwanted operation.



3.10. 0-10V Analogue Input (AI1, AI2)

A 0-10V analogue demand input channel is provided. It has a 100K input impedance plus a 50ms anti-aliasing filter. By default, the input is configured to set the actuator position in 10% steps based on a scaling of 1V==10%, where 100% is the natural ventilation maximum run time (default 18 seconds).

Other input scaling is available. Please refer to SE Controls for details. A second analogue input, AI2, having the same characteristics as AI1 is available. This is not used in the default system configuration.

3.11. Analogue Output (AOC)

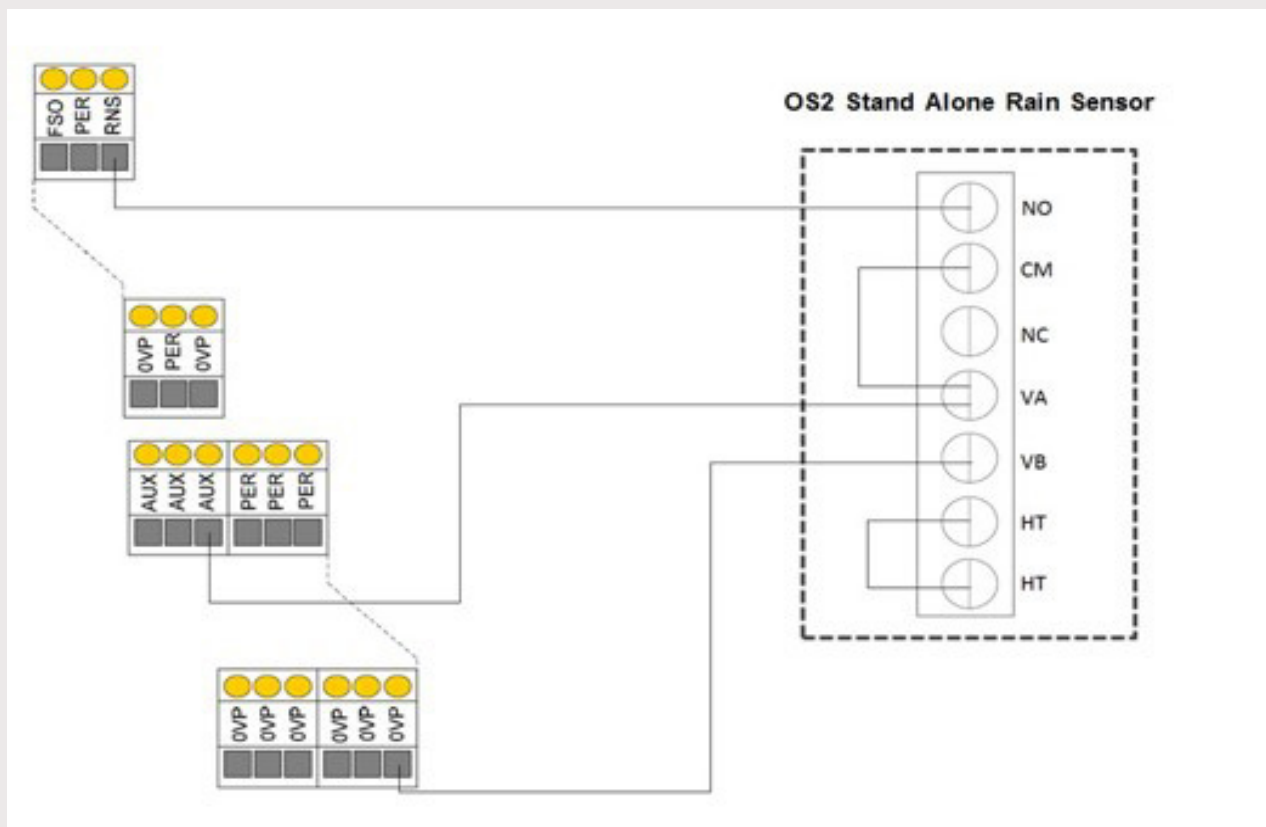
A 0-10V analogue output channel is provided. By default, this output reports the position of actuator channel 1 based on a scaling of 10V == natural ventilation maximum run time (default 18 seconds).

3.12. Rain Sensor (RNS)

An input for the connection of a volt free normally open rain sensor is provided. When the contact closes, power is applied at the actuator outputs in the close direction for a period of 180 seconds.

At the same time, a 180 second lock-out timer is started. If either the rain sensor remains wet or the lock-out timer is running, the natural ventilation controls are ignored. Once the rain sensor dries out and the lock-out timer times out, the natural ventilation controls are re-enabled. However, note that the position of the vent is not automatically reset to the last know position prior to the rain sensor activation.

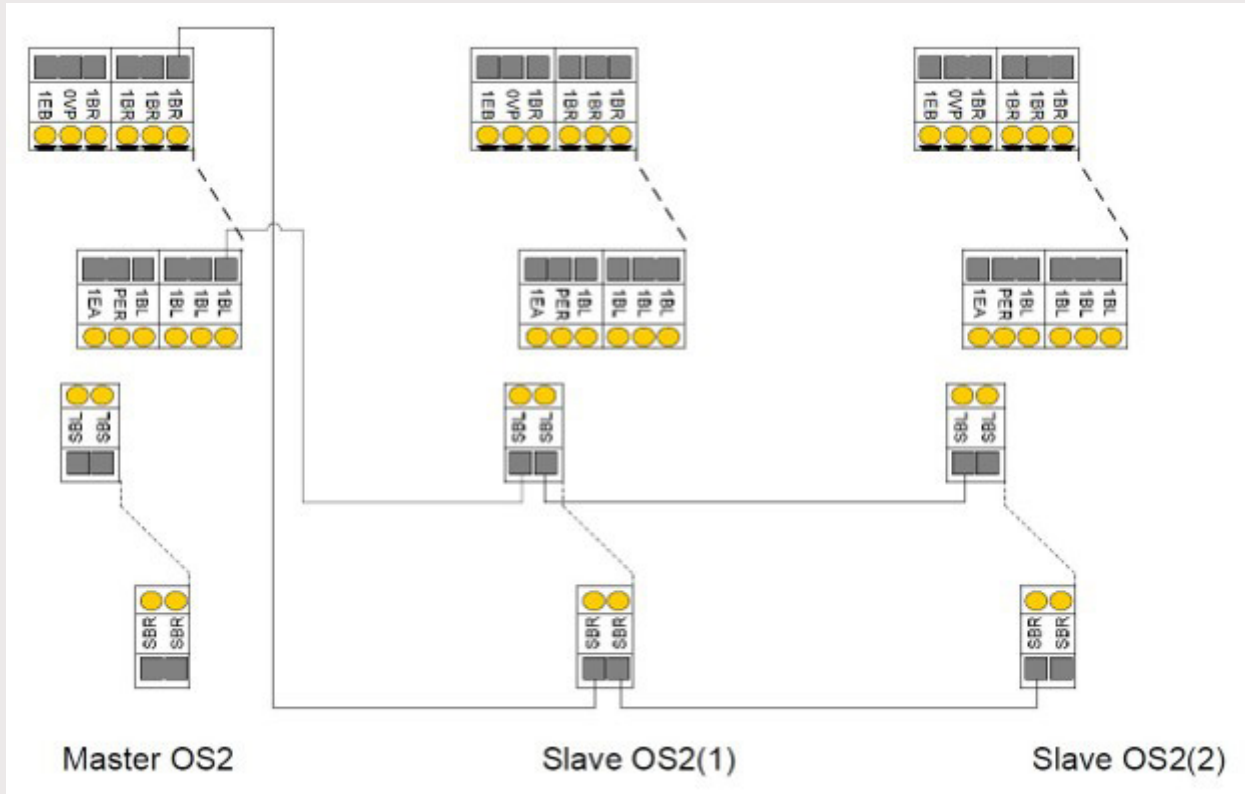
The rain sensor input can also be used to close the vents from a centralised control point, using a 7-day timer or a caretaker switch.



3.13. Master Slave (SBL, SBR)

The slave inputs (SBL; SBR) are used to make an OS2 SHEVTEC Controller copy an external reversing 24V dc actuator signal to produce a simple master/slave system. If the power is left applied for a period of more than 180 seconds, then the OS2 SHEVTEC Controller will turn its output off.

Once the slave input has been activated, the natural ventilation controls of the OS2 SHEVTEC Controller are disabled and cannot be re enabled without resetting the controller.



3.14. Network Connection (NTA, NTB, SCR)

Connections NTA, NTB and SCR are used for network connection with network interface plug in boards. The use of these devices is outside the scope of this document. Please refer to the individual product user manuals where necessary.

When used with the OSLink interface, ensure correct polarity of the connections.

4. System Design

4.1. System Design

Design of a smoke and heat control scheme is a technically complex task and needs to consider both national legal requirements and local fire/building regulations. This is beyond the scope of this document. If in doubt, consult SE Controls or approved agents who can give further guidance.

The system design documentation should include a 'Cause and Effect' list or similar to identify the essential smoke control functions of the system.

Before installation of any system, the following should be considered and documented where necessary.

4.2. Design Checklist for each OS2:

- **Location** : Installation is in a clean, dry, and secure location, accessible for maintenance.
- **Location** : Not installed in sealed enclosure.
- **Location** : Distance to the actuators. Cable voltage drop is proportional to cable length, so locating the panel far from the load may require heavier gauge of cable.
- **Environment** : The equipment must not be subject to very cold or excessively warm ambient temperatures.
- **Electrical Load** : Maximum total actuator current is within specification (<8A).
- **Electrical Load** : Standby current on PER less than 40mA if 72Hour standby time is required.
- **Electrical** : Provision of locally fused, isolatable mains power supply
- **Communication options** : OSLon for LonWorks, OSLink card for OSLink networks or stand-alone
- **Smoke ventilation function** : None/open on fire/close on fire/top-of-smoke-stack/stairwell.
- **Smoke activation source** : smoke detectors / fire alarm interface / none / MCP.
- **Smoke activation reset** : Automatic or manual reset. MCP required for reset.
- **Natural ventilation function** : Day-to-day switch required.
- **Natural ventilation function** : Thermostat, NVLogiq, building management system (BMS).
- **Natural ventilation function** : Rain Sensor (Local / Networked)
- **Special Parameter settings** : Actuator run times, service due indication
- **Special requirements.**

4.3. Design Checklist for each MCP:

MCPs are fitted to OS2 SHEVTEC systems to indicate the fire state and allow control of the vent at high priority.

- Is an MCP is needed on each OS2 and where it might best be installed - The MCP control may or may not need to be accessible by fire service personnel. For natural ventilation systems, MCPs are often not required
- Vent finger trap risk. Is it required for vent to be visible from the MCP position.
- Type of MCP : Standard MCP (reset + open function) or tamperproof (reset only) MCP.
- Access to fixing screws and memory key slot. Allow a minimum of 150mm away from any obstruction below.
- Number of reset keys supplied to customer.
- Top of smoke shaft vents normally automatically reset, so often do not require an MCP.
- Where the MCP is solely used to reset or test the system, the MCPs can be located in a hidden or secure place.

4.4. Design Checklist for each Actuator/Vent

- Risk of crushing; this equipment can automatically close windows and vents without warning. Risk of severe injury from crushing of hands or fingers. Consider if additional protection (e.g., PIR proximity sensors, physical guarding, controlled force actuators) might be required.
- Compatibility : OS2 motor drive output voltage varies with input mains voltage and has considerable voltage ripple at heavy loads. Consult SE Controls when using non-SE Controls approved actuators.
- Cable voltage drop : Calculation of acceptable voltage drop may be required for heavy loads or long cables.

5. Installation, Commissioning and Fault-Finding

5.1. Pre-Installation

After unpacking the controller, use a 3mm hex key to unfasten each of the ¼ turn catches and allow removal of the lid of the control unit. It is recommended that the lid be temporarily placed back inside the packaging to prevent damage to the paint finish.

The base plate; carrier plate; power and control assembly; transformer; supply filter; batteries and a pack of 7 grey 20mm cable glands are now revealed.

The base plate is designed for easy mounting of the unit in awkward locations. The carrier plate is fixed to the base plate using 4 key-ways and locking bushes. To split the carrier plate from the base plate, use a large flat bladed screwdriver to unscrew each of the bushes at least 2 turns anticlockwise. **DO NOT FULLY REMOVE THE BUSHES.**

Grasp the upraised ends of the carrier plate and base plate and push them towards each other. They will slide a short distance towards each other until the key-ways are disengaged. The carrier plate can now be lifted away from the base plate. Again, it is recommended that the carrier plate is placed temporarily back inside the packaging to prevent damage.

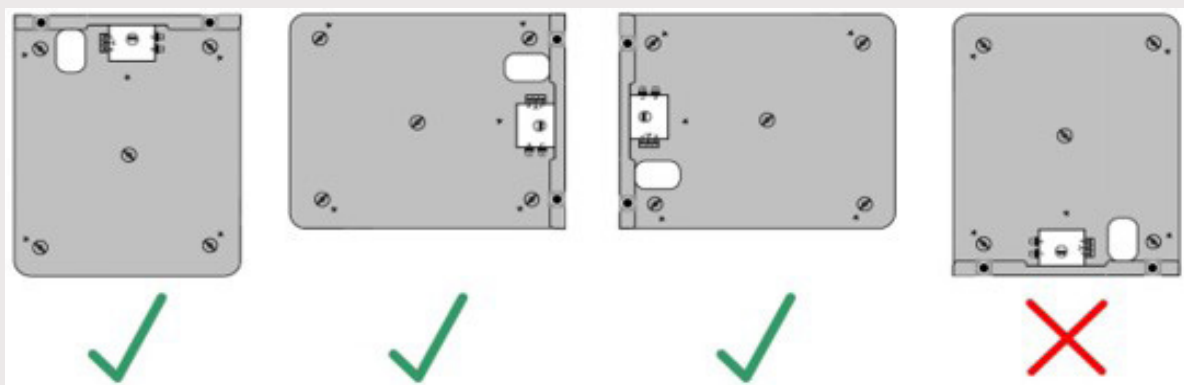
It is recommended that the required number of cable entry glands is assessed and are fitted at this point. Knock-outs and fully

5.2. Fixing

Hold the mounting plate up against the surface to which it is to be fixed. Mark through the holes and remove the plate. Drill appropriately sized pilot/fixing holes and use plastic plugs/cavity fixings where appropriate Use 5 pan head or countersunk screws to secure the base plate firmly.

Use 5 pan head or countersunk screws to secure the base plate firmly.

- Installation of the panel in very warm locations (e.g., boiler rooms, hot plant rooms) should be avoided as high temperatures will reduce battery life. Temperatures should generally be below 35°C and never exceed 40°C. Avoid installation adjacent to boilers, hot water pipes, etc.
- OS2 has been tested at -5°C and may be operated down to this temperature.
- The panel must be firmly fixed to a solid surface. The controller can be mounted under floor or on any vertical surface such as a wall. Due to the nature of the keyed base plate, there are only 3 recommended wall mounted orientations for the base plate.



5.3. Low Voltage Connections

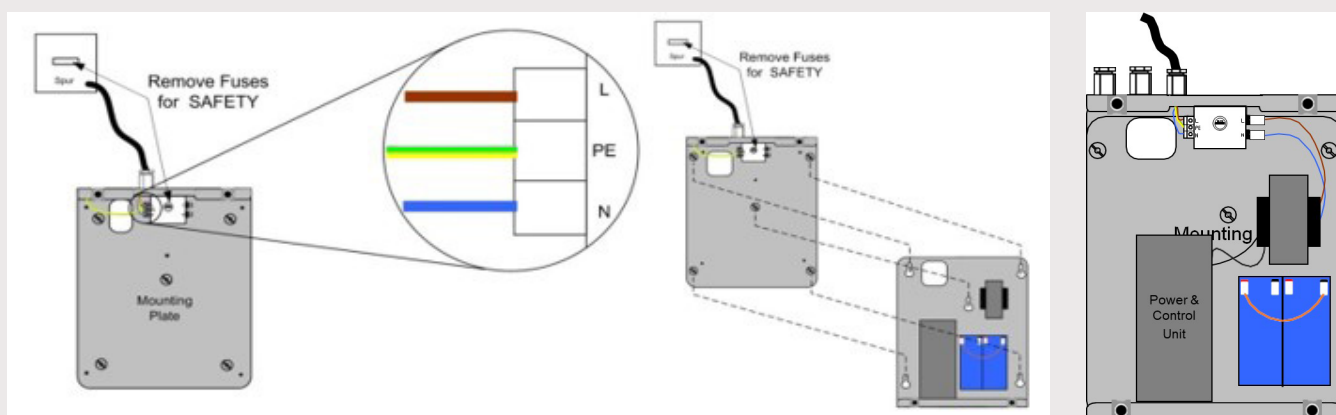
Make connections to the OS2 board as detailed in **Section 3** of this Technical Information and Operating Instructions Manual.

5.4. Mains Connection

Ensure the supply is securely isolated before connecting. Connect to the L; PE and N screw terminals of the mains EMC filter within the OS2 SHEVTEC Controller to a fused unswitched mains outlet, using flexible 1.5mm² 3 core cable. Note that the terminal entries have openings suitable for use with up to 2.5mm² cable.

Connect the blue and brown leads from the transformer to the output of the EMC filter.

If no further wiring is to be connected at this time, remove the 3A fuse in the mains filter box or remove the 5A fuse from the mains outlet to ensure the OS2 cannot be prematurely powered. These fuses must not be replaced until all Assembly/Mains connection stage has been completed.



5.5. Battery Installation

Once all other connection to the OS2 SHEVTEC Controller have been made and the installation is ready for commissioning, remove the battery clamp plate and fit the batteries. Re-fit the battery clamp.

The OS2 system will not power up from just batteries until the main power is first applied or the 'battery power up' button is pressed.

Remove the protective covers on the battery output terminals and connect the battery red lead to the red terminal of one battery and the black lead to the black terminal of the other battery. Complete the circuit by connecting the orange link wire

5.6. First Power-Up Test

Before powering up a system for the first time, ensure the actuator and vent installation is complete and operation of the actuators will not cause a hazard.

Full commissioning of a new system requires the availability of mains electrical supply. If activation is via a fire alarm-controlled relay, ensure the fire alarm system is reset.

With mains power removed, use a multimeter to measure the open circuit voltage on each battery. Check that the voltage is more than 10.5V for a new discharged battery, and more than 12.6V for batteries that are fully charged. Where batteries have been left connected and deep discharged, there is the risk of internal damage to the batteries and should be replaced.

Reconnect the batteries before connecting the mains supply. The battery charging should start within 30 seconds and may be checked by measuring an increase in battery voltage.

The green standby LED on the OS2 enclosure should illuminate to indicate healthy and any connected MCP should show standby and no fault.

For networked systems, an unbound, faulty, or disconnected OSlink or OSlon card may cause a fault indication. For OSlink, Check the green status led of the network, and if necessary re-initialise the network by pressing the button on the OSlink card.

Test the operation of the actuator by activation of the system. Ensure the actuator operates smoothly and adjust if necessary.

Where a 'Cause and Effect' functional specification is available, this will document a complete list of the required functions which must all be verified in turn. If this specification detail is not available, the commissioning engineer must ensure that each input is tested. This may require triggering of smoke detectors and simulating of fire alarm inputs.

If the system is not to be used for some time, ensure the system is left in the disconnected power- down state. If necessary, press the battery power down BPD button.

5.7. Basic Fault Finding

If the system operates from mains power but when mains power is removed will not operate from batteries, it is possible that the batteries will require replacement.

There are no user repairable parts. Fault rectification must only be carried out by authorised and competent persons.

- 1) Mains power: Incoming mains supply in the range 230 \pm 10% V ac must be present.
- 2) Fuses: Refer to section 2.6 – Do not replace fuses without investigating the cause of the failure. Blown fuses must be replaced with fuses of the correct type and current rating.
- 3) Battery open circuit voltage: The voltage on each battery when not on charge should be above 12.6 V dc
- 4) Cable connections: all connections to be secure and show no sign of damage or shorting
- 5) MCPs; All controllers have green 'healthy' indicators –refer to section 2.3 and 2.4

Symptom	Possibility
Standby LED off, fault flash (50/50) at MCP controller	<p>Mains supply failed – check supply, fuse 1 and fuse in EMC filter.</p> <p>Battery Failed. Disconnect the battery and check the open circuit voltage of each battery is >12.6V (fully charged) or >10.5V (uncharged). Replace pair of batteries if either is low.</p> <p>Disconnecting and reconnecting the battery while mains power is applied can cause a battery fault to be wrongly detected even with a good battery. This fault is only cleared at the end of the fast-charge period so may take minutes or hours to clear. To avoid this, connect batteries before connecting mains power.</p>
Standby LED on, brief fault blink every 10 seconds at MCP controller. System remains operational.	Service due indication (where enabled). Resetting a service due warning requires an engineer with a POP service tool.
No operation, No LEDs illuminated.	<p>Mains supply lost and battery low.</p> <p>Check battery voltage >10.5V each battery. Try 'battery power up' button. Check fuses. Restore the mains supply.</p>
No actuator operation but actuator LEDs on PCB illuminated.	Check connection to the actuator and operation of the actuator.
No actuator operation and actuator LEDs on PCB not illuminated.	<p>For smoke stacks and similar networked systems, check that another vent elsewhere is not open and interlocking operation.</p> <p>Check fuses 4 and 5 to actuator. If blown, check cable and actuator for cause of overload, before replacing.</p>
No response to natural ventilation controls, but fire controls operate O.K.	<p>Check mains supply is present – Natural ventilation functions can be disabled on mains failure.</p> <p>Check the rain-sensor input is not active. Allow time for rain sensors delays to timeout.</p> <p>Wait for internal timers to timeout, e.g. If day-to-day controls are operated, the thermostat input is disabled for the occupancy time.</p> <p>As some lockout timers can be lengthy, it can be useful to reset the system by removing and re-applying all power to the system.</p>
No power on PER permanent output	Check internal fuses.
No power on AUX output	Check internal fuse, check mains supply present.

5.8. Battery Replacement

Batteries must always be replaced as a pair with batteries of equivalent construction, size, and capacity (2 x 12V SLA 7.0AH).

It is highly recommended that mains power is isolated before changing batteries.

Remove the enclosure cover. Loosen or remove the battery clamp. Disconnect the batteries and take care not to short-circuit the battery terminals when removing them. Fit the new batteries.

Remove the protective covers on the battery output terminals and connect the battery red lead to the red terminal of one battery and the black lead to the black terminal of the other battery.

Complete the circuit by connecting the orange link wire between the batteries using the unused battery terminals.

Replace the enclosure cover and reconnect the mains supply. Check for green indication of the standby LED, and no-fault indication at any MCP.



Creating a healthier & safer environment

Lancaster House
Wellington Crescent
Fradley Park, Lichfield
Staffordshire WS13 8RZ

+44 (0)1543 443060
sales@secontrols.com
www.secontrols.com

